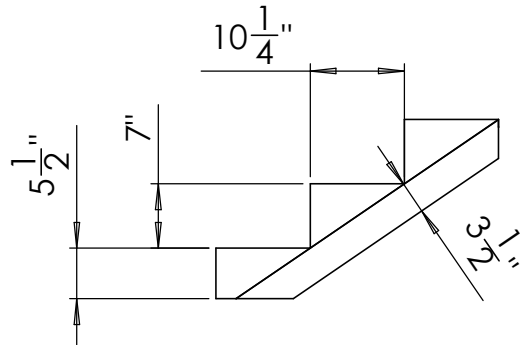
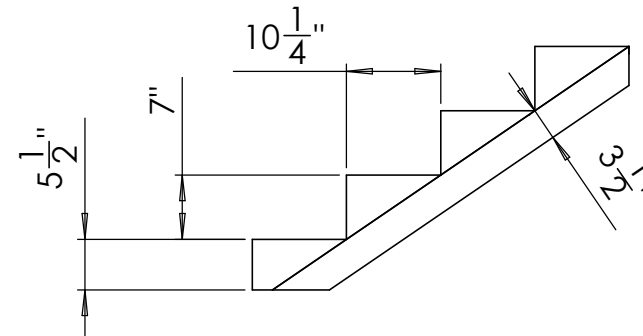


# 7 X 10.25 LAMINATED RISERS

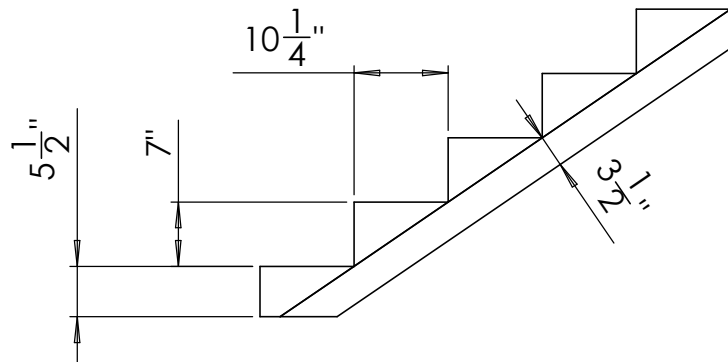
**3 STEP**



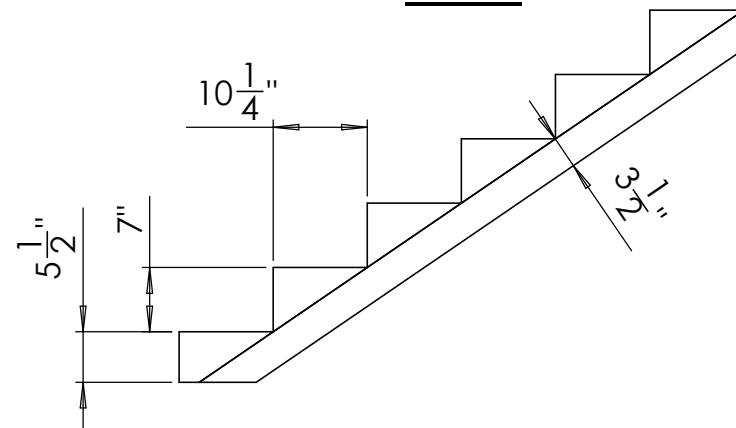
**4 STEP**



**5 STEP**



**6 STEP**



**MARWOOD LTD.**

3307 ROUTE 101  
TRACYVILLE, NB  
E5L 1N7

DESCRIPTION

**7 X 10.25 LAMINATED RISERS**

PROJECT

**STAIR RISERS**

QTY.

SCALE

**NTS**

DATE

**18-MAY-17**

DRAWN BY

**RCJ**

TIME CODE

DRAWING No.

**RISER-LAM-7X10.5 - 001**

REV.