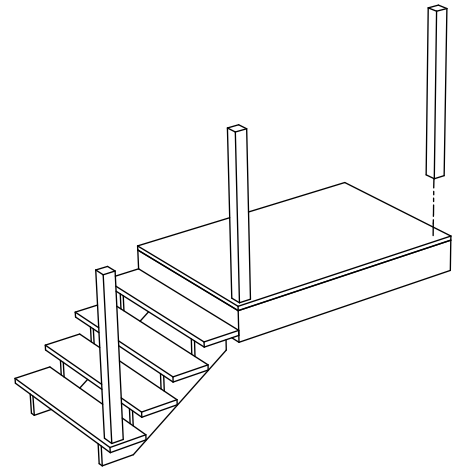


## INSTALLATION INSTRUCTIONS :

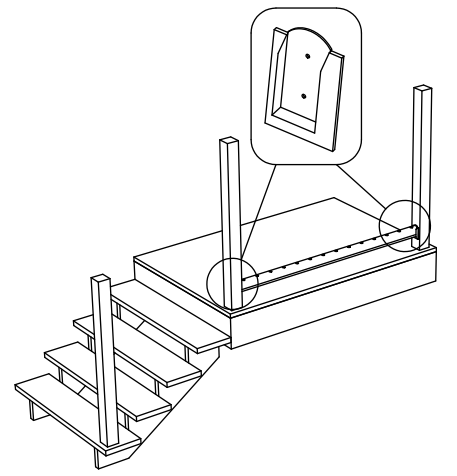
### STEP 1

Position posts to accommodate for the pre-drilled rail length. Once in place center the rail between the deck posts.



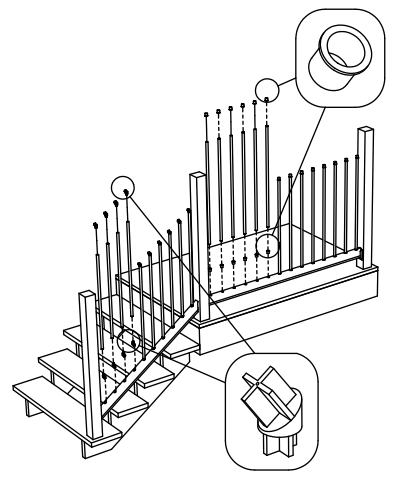
### STEP 2

Place the rail hanger over the end of the rail. Fasten the hanger to the rail and to the posts using the screws provided.



### STEP 3

Install the plastic connectors onto each end of the baluster. Once in place, insert one end of the baluster into each hole of the bottom rail. Use angled stair connectors (sold separately) for stair railing application.



### STEP 4

Starting at one end, place the top rail over the balusters, ensuring balusters are fully inserted. Fasten the top rail to the posts using the rail hanger.



# QuickRail™

### BOX CONTENTS

- 2 – Molded Rails
- 15 – Metal Balusters
- 4 – Rail Hangers
- 30 – Connectors
- Stainless Steel Screws

Angled Stair connectors and Posts sold separately  
SOME PARTS MADE IN CHINA



# MARWOOD

Creators of Quality Wood Products

[www.marwoodltd.com](http://www.marwoodltd.com)